

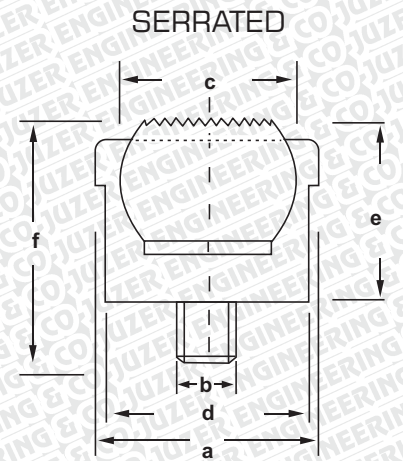


JUZER ENGINEERING & CO.,

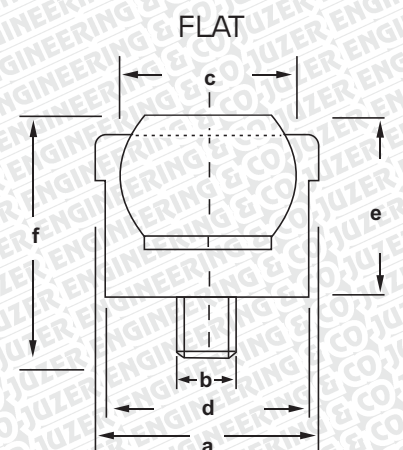
New # 21 (Old No. 11) Errabalu Chetty Street, 1st Floor, Shop No. F8, Chennai - 600 001.

Phone : 044 - 2539 6141, 2539 6151 E-mail : sales@juzerengineering.com

Self - Aligning Ball Element



MODEL No.	a	b	c	d	e	f
SABE-M6	13	M6	10	11	13	21
SABE-M8	13	M8	10	11	13	21
SABE-M10	20	M10	16	17	18	28
SABE-M12	20	M12	16	17	18	30
SABE-M16	30	M16	25	27	27	43
SABE-M20	50	M20	40	41	35	55
SABE-M24	50	M24	40	41	35	55



Material Specification :

Ball : Steel hardened & tempered

Body : Carbon Steel, Black Oxidized

Application : To hold uneven forged bodies,
rough castings during machining operations,
Clamping in Jigs & Fixtures, Toolings

Type : Serrated / Flat

Ordering : Model No. (Serrated) SABE-M6 (Serrated)
Model No. (Flat) SABE-M6 (Flat)